

# 5 DC Line Keying

Where the transmitter and receiver are separated by only a short distance and DC isolation is not required, DC loop keying may be employed.

A small DC current (usually less than 10mA) can be fed via the balanced 2-wire line to provide remote control of various functions.

In a duplex system the receiver mute is used to key a transmitter, provided there is a common earth between the two units (refer to Figure 5.1).

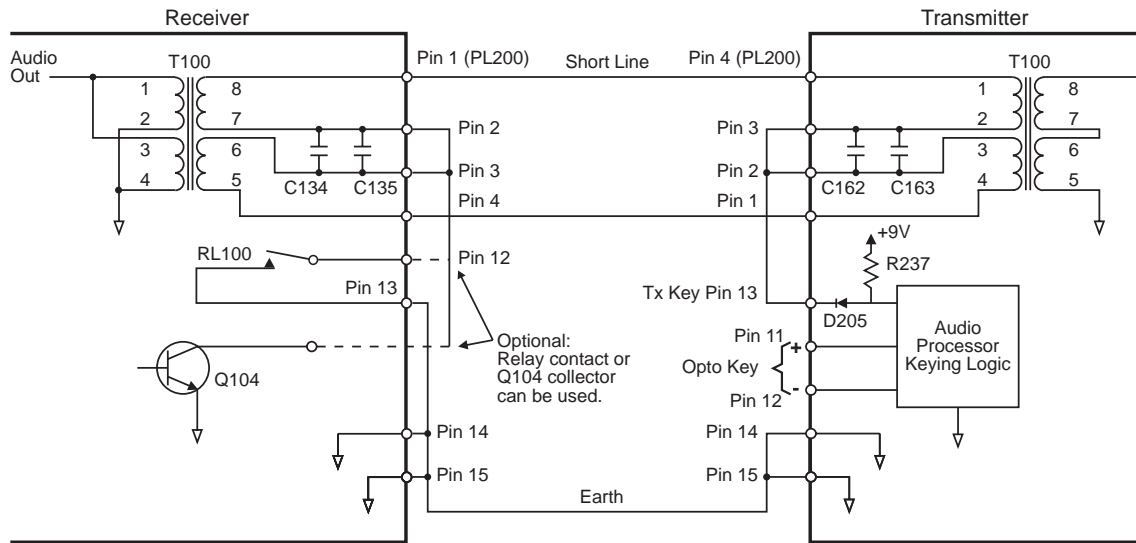


Figure 5.1 DC Loop Keying With Common Earth

Where the receiver and transmitter (or remote control) are distant, DC loop keying is provided by an isolated supply, driver and detector because an earth cannot be relied on (refer to Figure 5.2, Figure 5.3 & Figure 5.4).

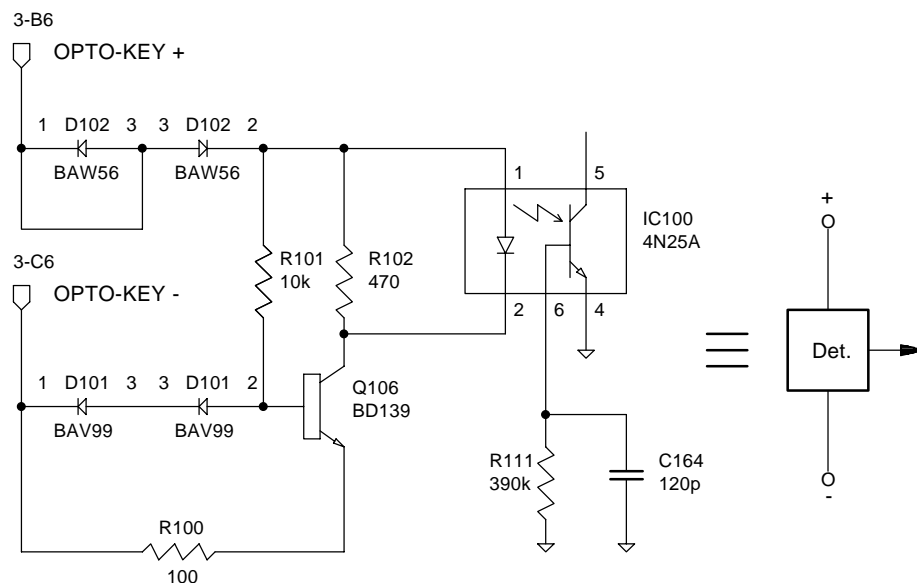


Figure 5.2 Isolated Constant Current Loop Current Detector (Opto-key input on T826 & T827)

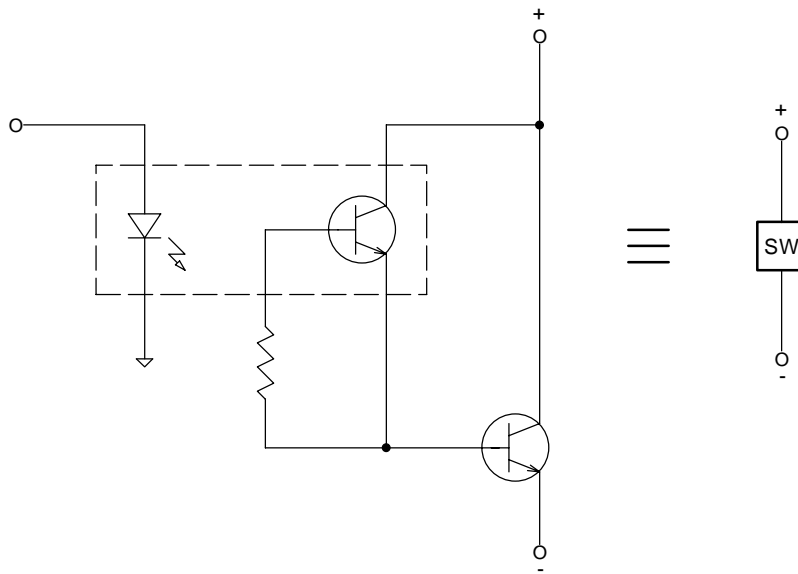


Figure 5.3 Isolated Loop Current Switch

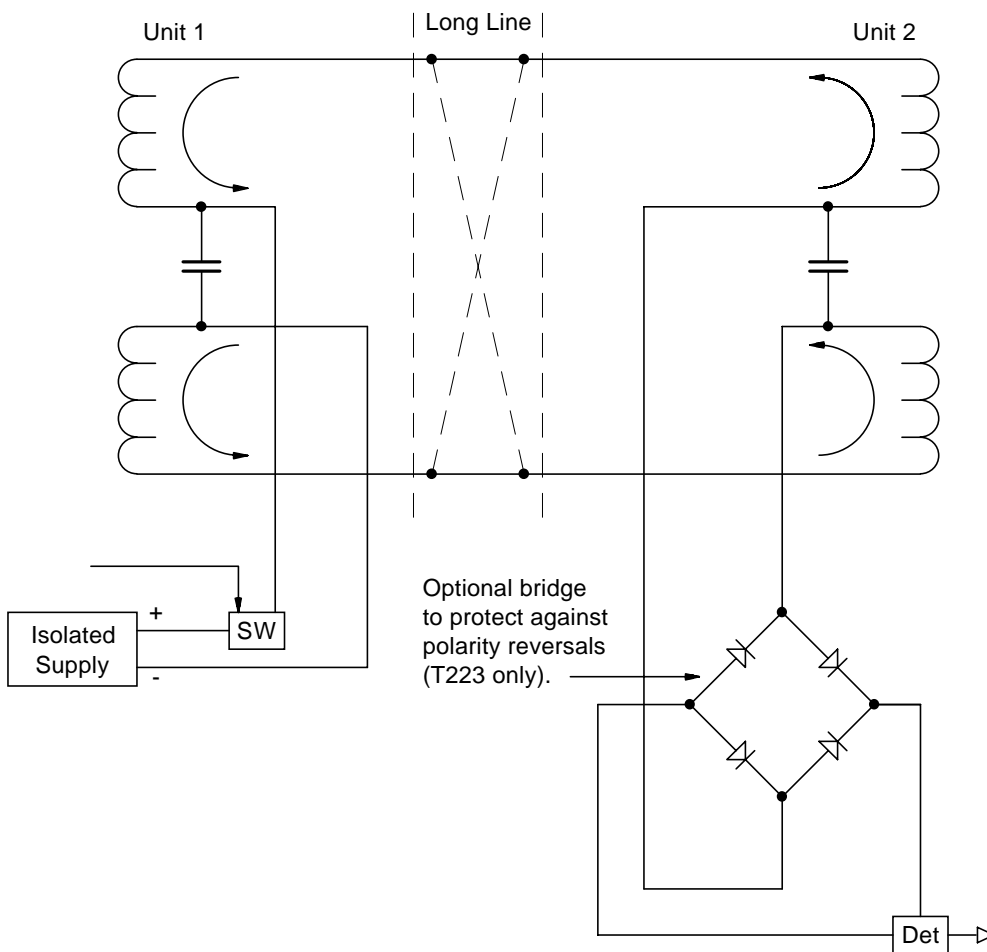


Figure 5.4 Typical System